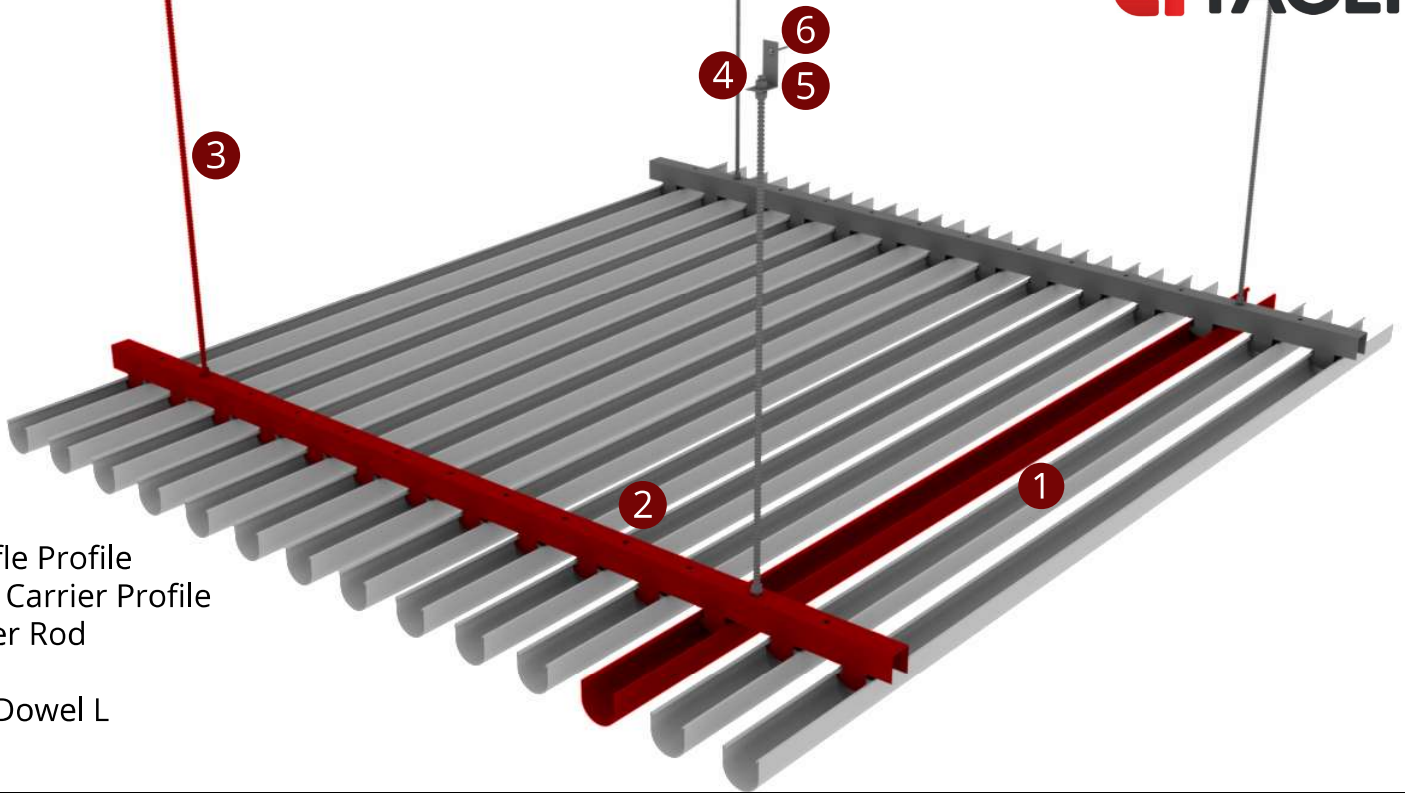




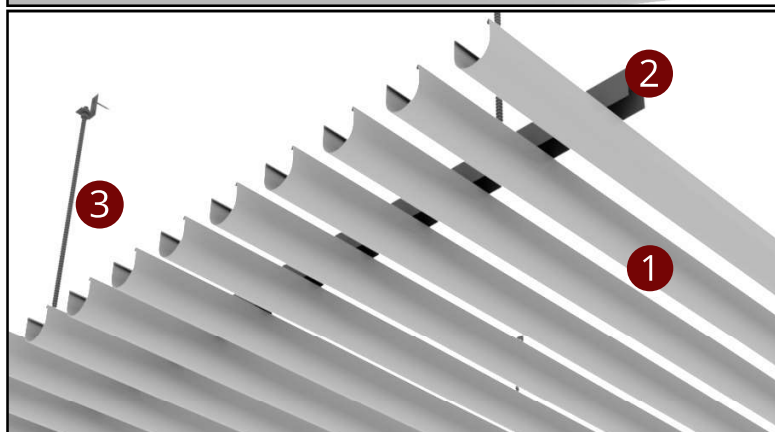
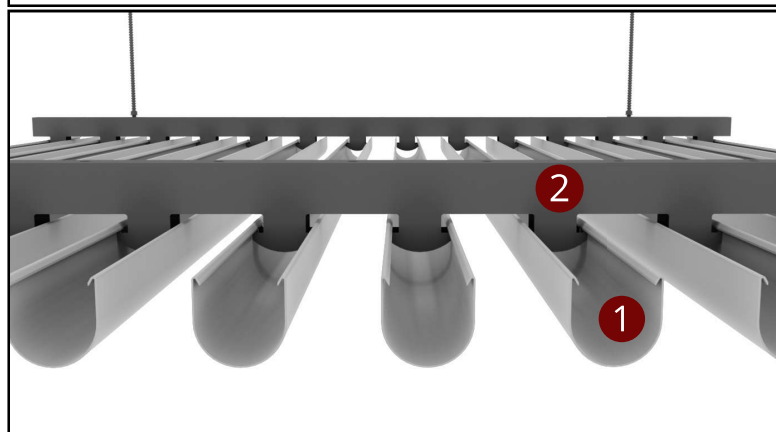
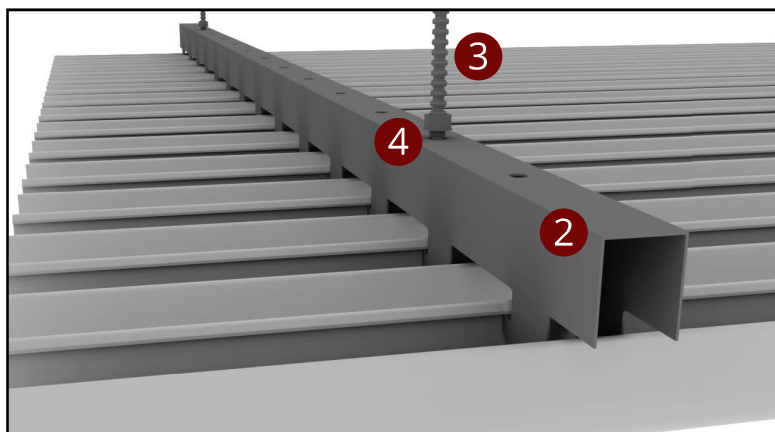
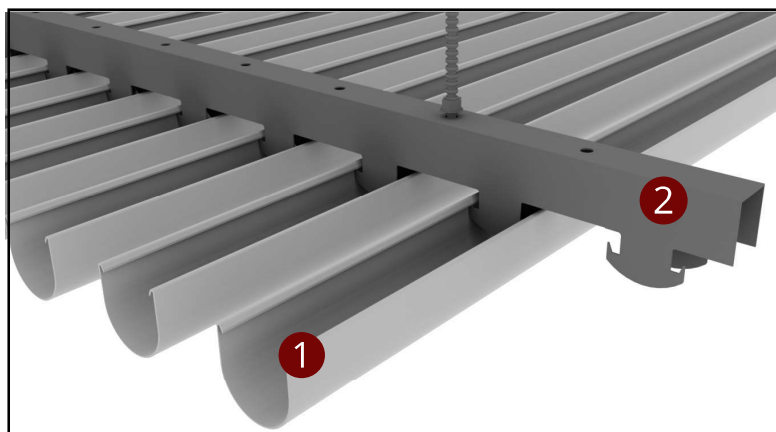
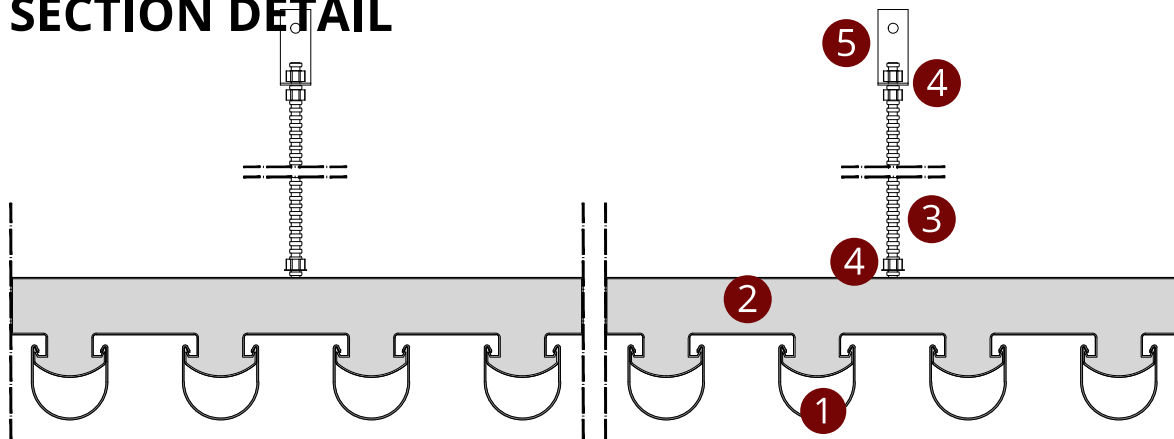
U BAFFLE

U BAFFLE FLAT SYSTEM VIEW



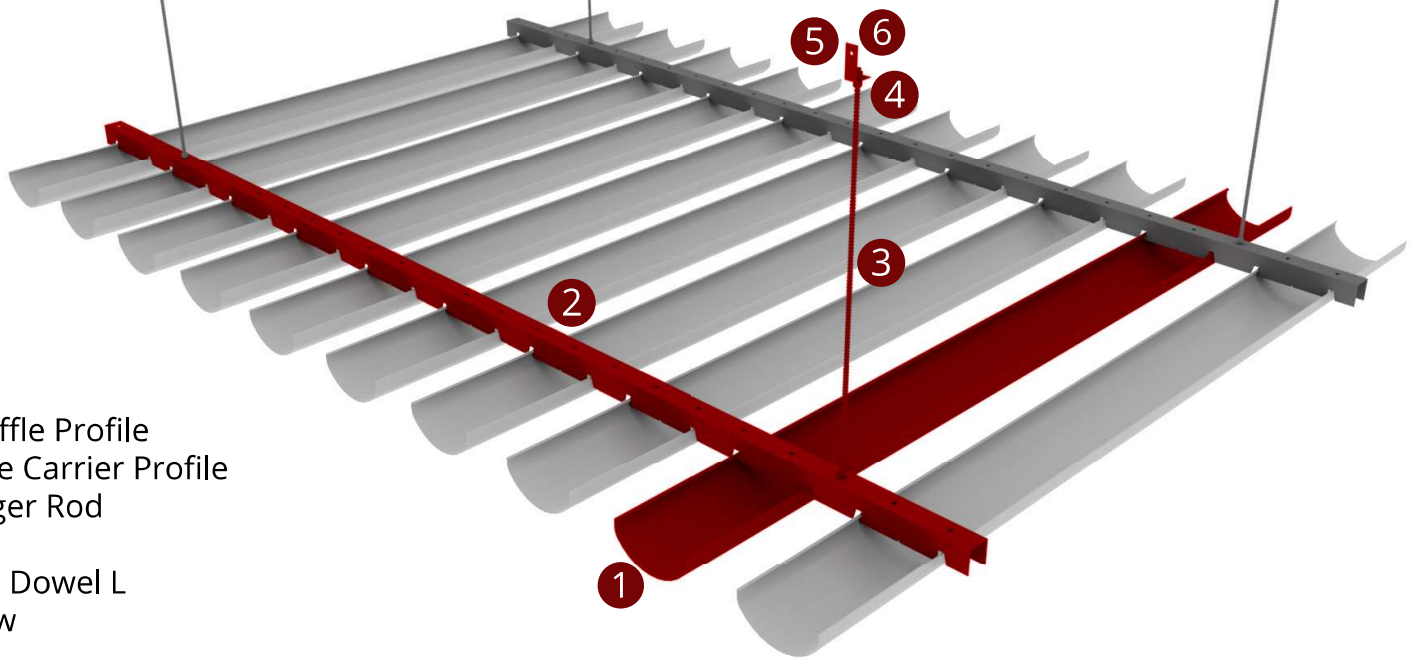
- 1 U Baffle Profile
- 2 Baffle Carrier Profile
- 3 Hanger Rod
- 4 Bolt
- 5 Steel Dowel L
- 6 Screw

SYSTEM SECTION DETAIL



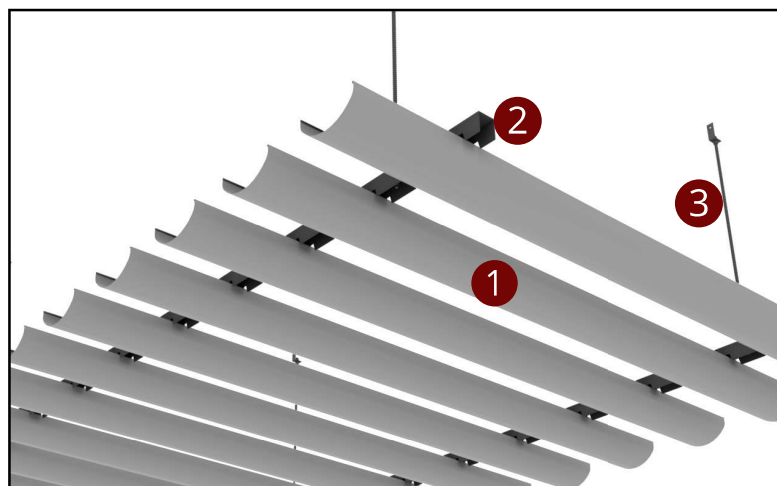
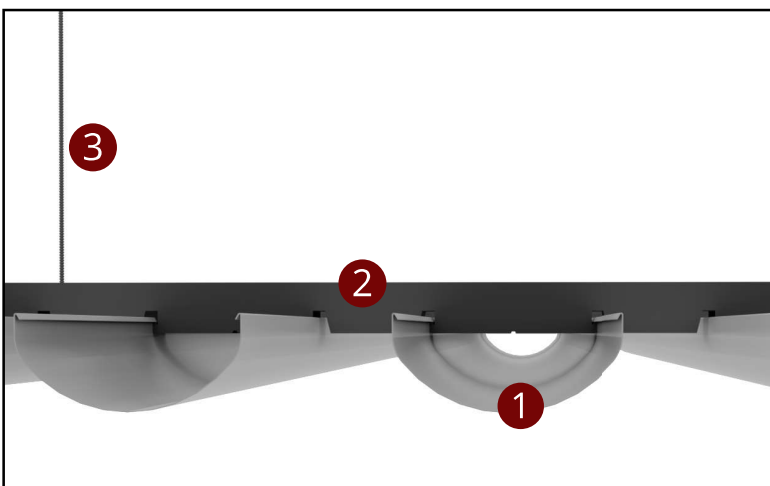
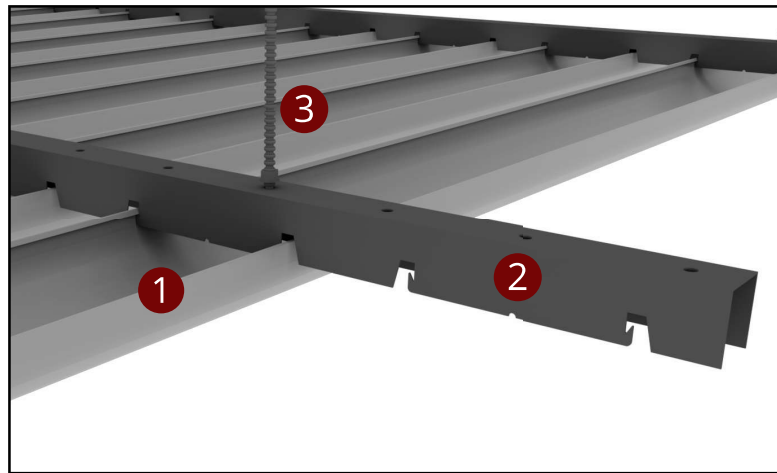
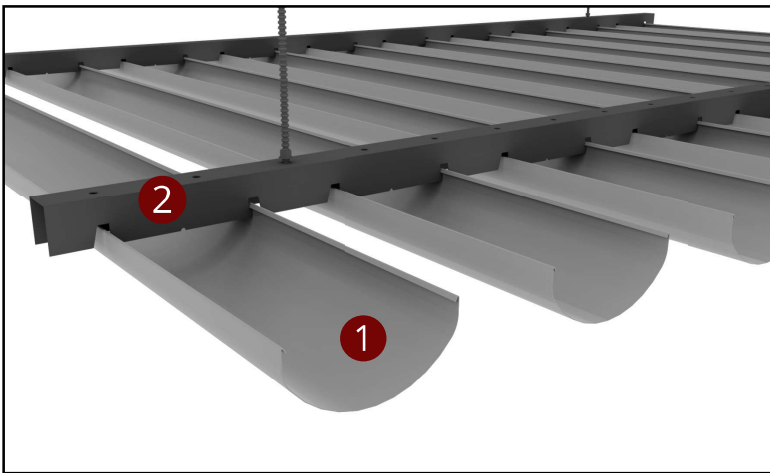
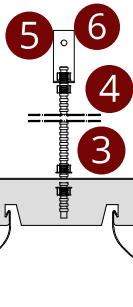


U BAFFLE EXTERIOR SYSTEM



- 1 U Baffle Profile
- 2 Baffle Carrier Profile
- 3 Hanger Rod
- 4 Bolt
- 5 Steel Dowel L
- 6 Screw

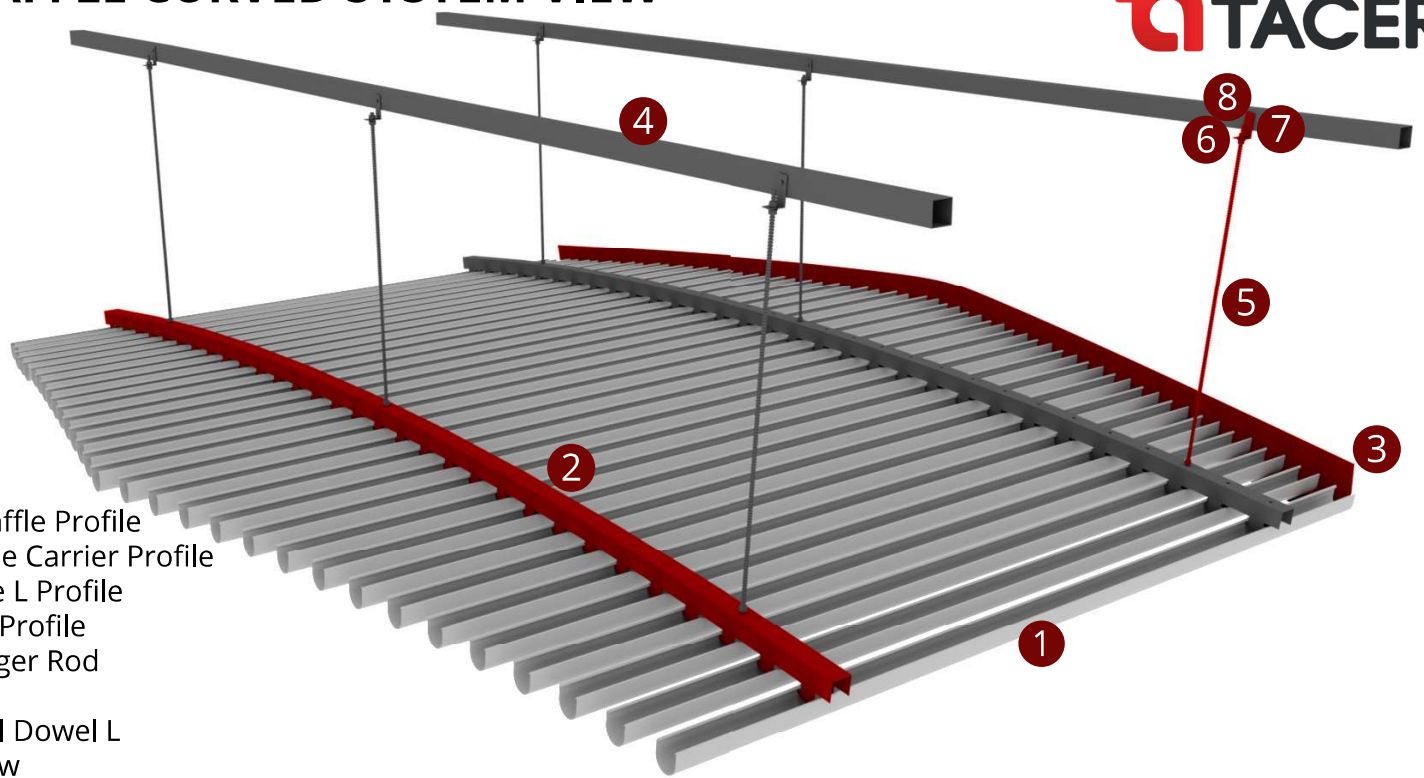
SYSTEM SECTION DETAIL





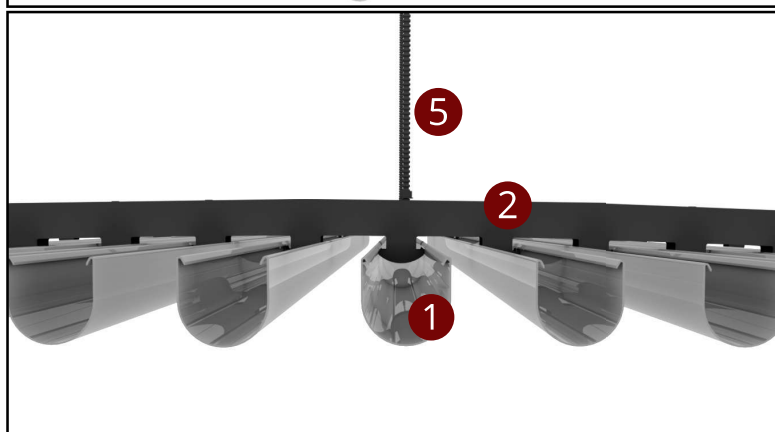
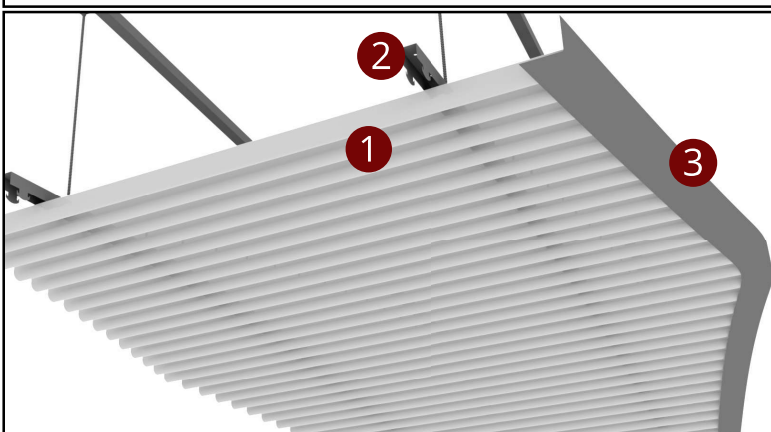
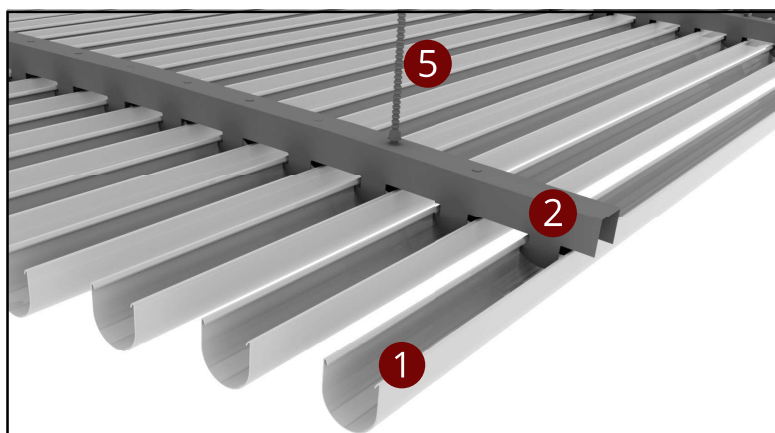
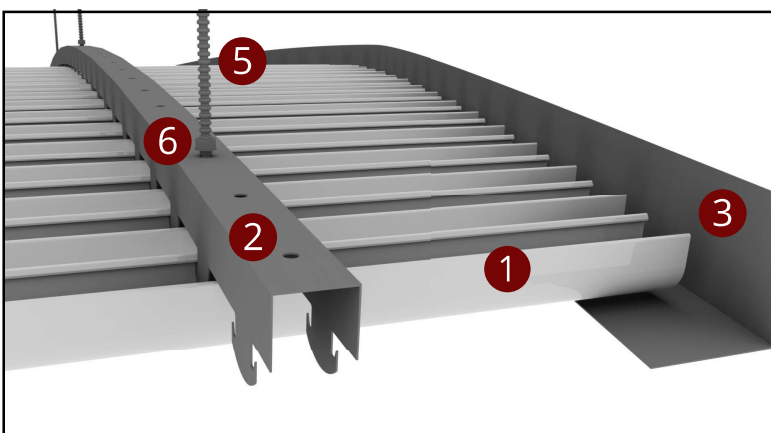
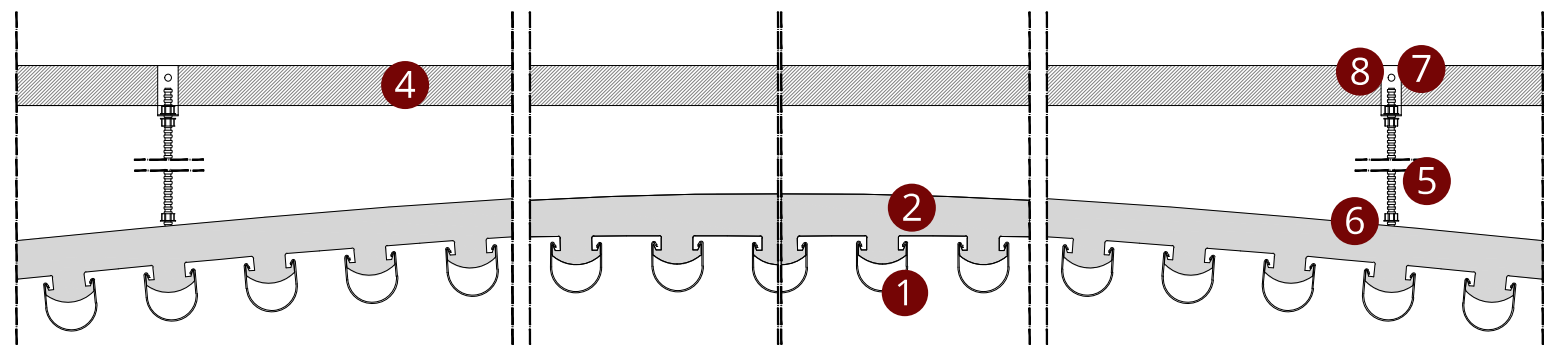
F5 →
← F4 F6-19 ↑
↑ F7-19 ↑

U BAFFLE CURVED SYSTEM VIEW



- 1 U Baffle Profile
- 2 Baffle Carrier Profile
- 3 Edge L Profile
- 4 Box Profile
- 5 Hanger Rod
- 6 Bolt
- 7 Steel Dowel L
- 8 Screw

SYSTEM SECTION DETAIL



UÇAKLAR GİDEN YOLCU INTERNATIONAL DEPARTURES

istambul

ALL RAL COLORS AND
WOOD PATTERN OPTIONS

EBAT
SIZE

YANGIN SINIFI
FIRE PERFORMANCE

GERİ DÖNÜŞÜM
RECYCLED CONTENT

SES EMİLİMİ
SOUND ABSORPTION (NRC)

YÜZEY
SURFACE

SİSTEM AĞIRLIĞI
SYSTEM WEIGHT

PERFORASYON
PERFORATION

KALİTE BELGESİ
QUALITY

CONTACT



tacerakustik



tacerakustik



tacerinsaat



tacerakustik

Head Office:

Birlik Mah. 450.Cad. No:79/B Çankaya/Ankara/TURKEY 06610
Tel: +90 312 496 11 05

Izmir Office:

Ege Perla Çınarlı Mah. Ozan Albay Cad. No:10 Kat:6
Konak/Izmir/TURKEY 35170
Tel: +90 232 472 06 43

Factory 2:

O.S.B. Kızılırmak Cd. 1. Sk. No:15 Yahşiyân/Kırıkkale/TURKEY 71450
Tel: +90 318 321 33 50

Istanbul Office:

Esen-tepe Mah. E-5 Yan yol Kelebek Sk. Marmara Kule No:17 Kat:12
Kartal/Istanbul/TURKEY 34870
Tel: +90 216 469 44 84

Factory 1:

Esenboğa Yolu 22 km. Saracalar Mah. Kümeevler Sk. No:46
Akyurt/Ankara/TURKEY 06750
Tel: +90 312 399 25 45

Factory 3:

Ostim Fabrika İvedik Org. San. Genç Kardeşler Sitesi 1468. Cad. 2286. Sok.
No:44-46-48-50
Ostim/Ankara/TURKEY 06378
Tel: +90 312 395 27 36